

1

SPECTRA B200SLF

Permanent Status Beacon
5W BA9s Filament Bulb
IP Rating: IP65
Temp: -25°C to +50°C
Unit weight: 77g
CE

Dimensions : Ø60 x 80mm
2.5mm² terminals
Cable entry: 1 x 5-7mm push through
grommet

Order code Voltage
B200SLF250B/x 12-250V

x = Lens colour
R = Red A = Amber
B = Blue G = Green
Y = Yellow C = Clear

Bulb Type BA9s

Mountings
B200RAB001 Right angle bracket
B200TMA001 Tube mounting assembly
B200SLF unit is supplied without a bulb.
Please order the correct voltage and
wattage.

Bulb Type BA9s	E2S Part No.	Version
	BR10125B	12V 5W
	BR10245B	24V 5W
	BR10485B	48V 5W
	BR101305B	115V 5W
	BR102305B	230V 5W


Tel : +44 (0)20 8743 8880 Fax : +44 (0)20 8740 4200
Email : sales@e2s.com Web : www.e2s.com



2

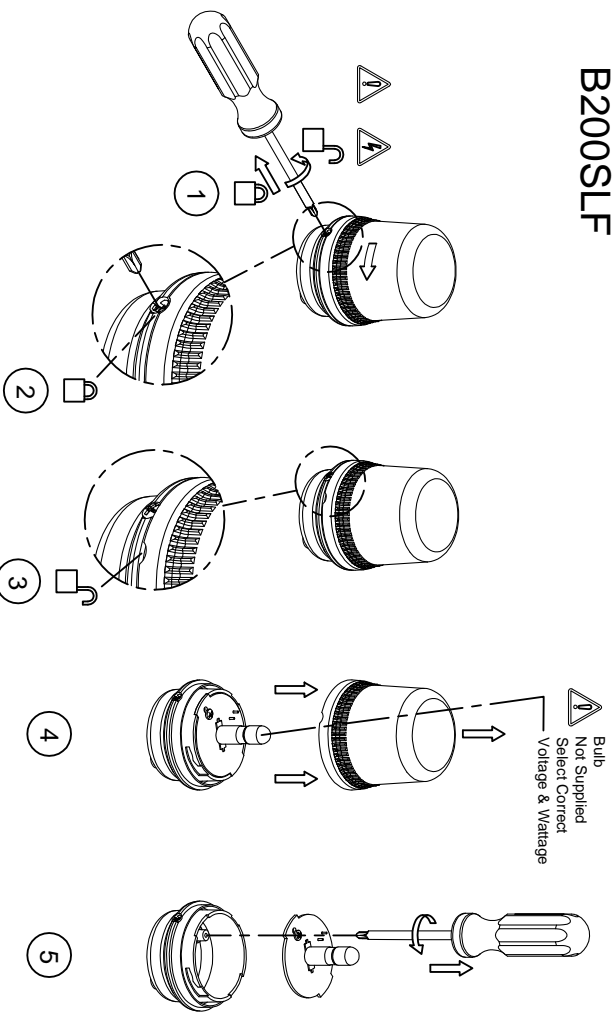
 **ATTENTION:** Installation must be carried out by an electrician in compliance with the latest codes and regulations.

 **ATTENTION:** Disconnect from power source before installation or service to prevent electric shock.

 **ATTENTION:** Lens on unit will be hot allow to cool prior to removal.

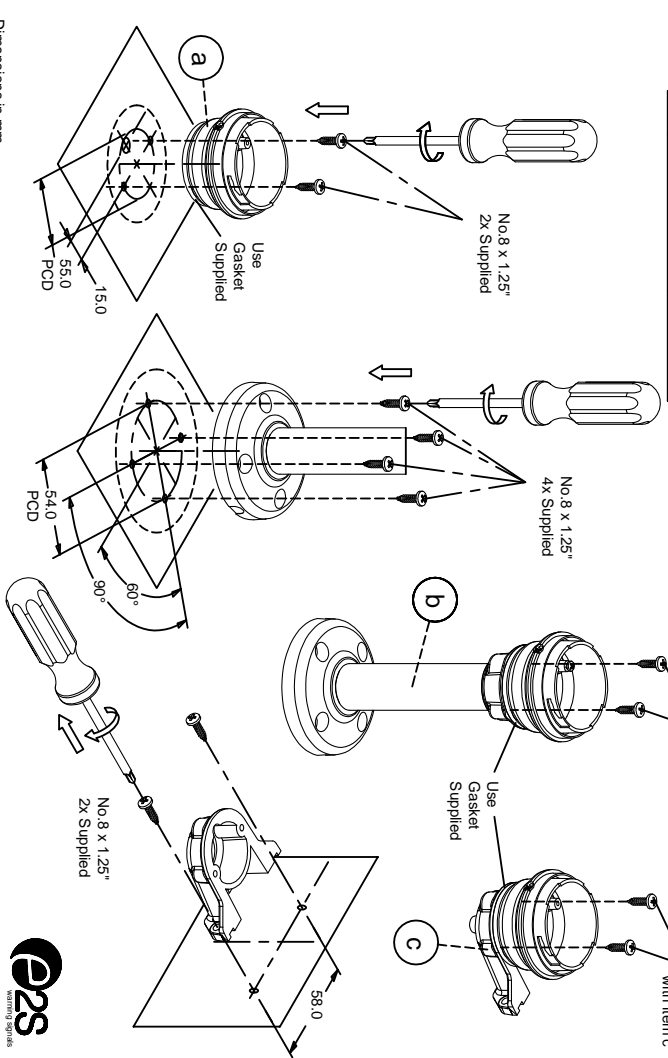


A SPECIIRA B200SLF



B

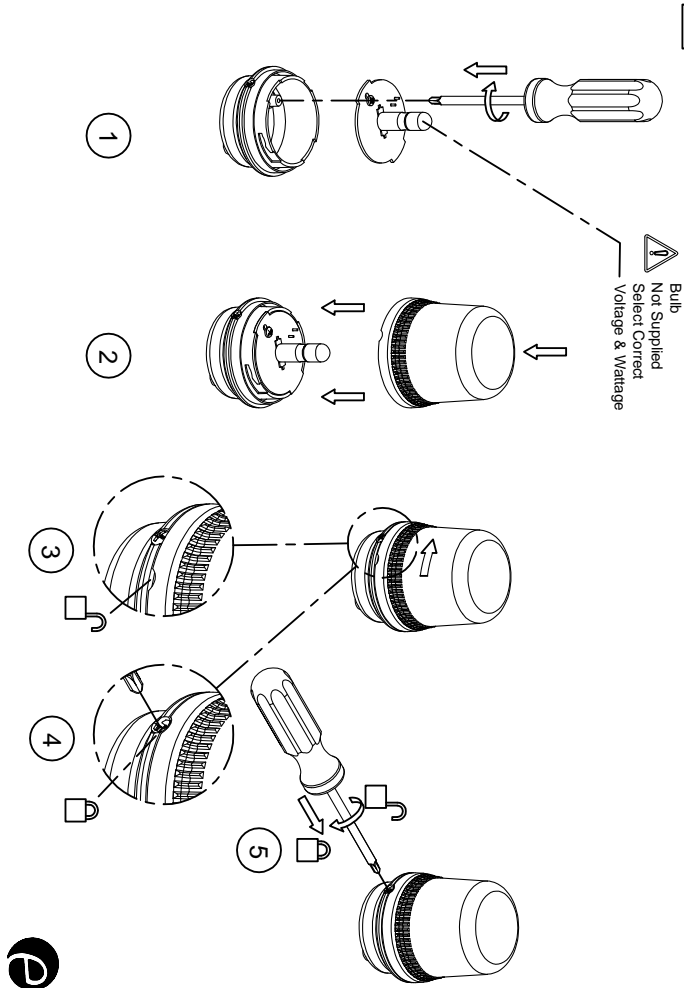
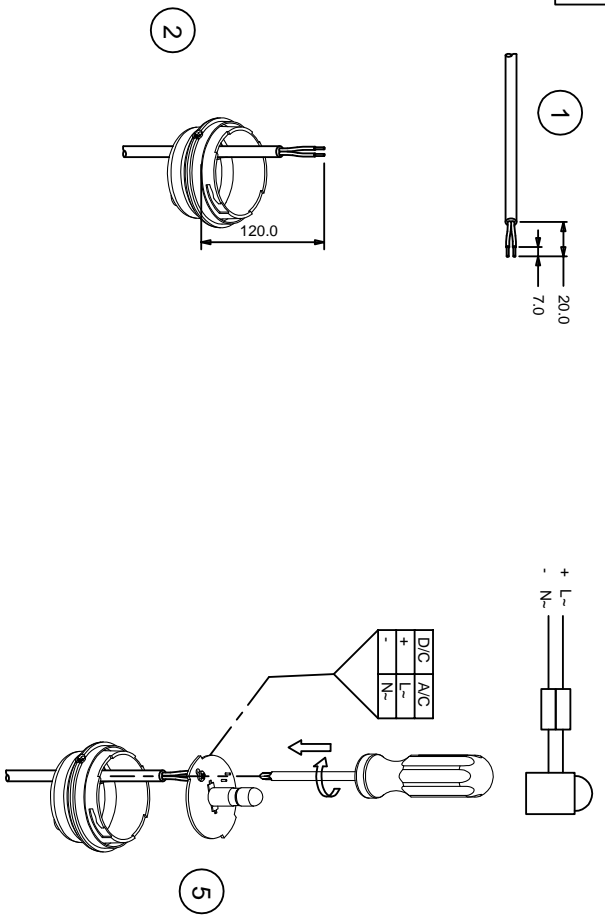
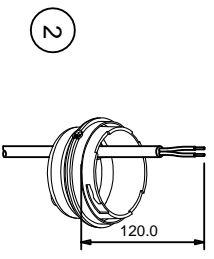
MOUNTING OPTIONS	
a	STANDARD BASE
b	POLE MOUNT
c	90° BRACKET
	B200TMA001
	B200RAB001



Tel : +44 (0)20 8743 8880 Fax : +44 (0)20 8740 4200
 Mail : sales@e2s.com Web : www.e2s.com



Dimensions in mm



D100-00-001-15-SHTZJSSUE_B