

1

SPECTRA B300RTH

Rotating Beacon
 G6.35/GY6.35 Halogen Bulb
 IP Rating: IP65
 Temp: -25°C to +50°C
 Unit weight: 370g DC : 370g AC
 CE

Dimensions : Ø100 x 150mm
 1.5mm² terminals
 Cable entry: 1 x 5-7mm push through
 grommet
 1 x M20 cable entry (IP65)

X = Lens colour
 R = Red A = Amber
 B = Blue C = Clear
 G = Green Y = Yellow

Order code Voltage
 B300RTH012B/x 12V DC 1720mA
 B300RTH024B/x 24V DC 910mA

Bulb Type G6.35 / GY6.35

Mountings
 B300RAB001 Right angle bracket
 B300TMA001 Tube mounting assembly

E2S Part No.	Version
BJC20W12VCL	12V 20W
BJC20W24VCL	24V 20W
BJCD25W120VCL	115V 25W
BJCD25W230VCL	230V 25W


Tel : +44(0)20 8743 8880 Fax : +44(0)20 8740 4200
 email : sales@e2s.com web : www.e2s.com



2

 **ATTENTION:** Installation must be carried out by an electrician in compliance with the latest codes and regulations.

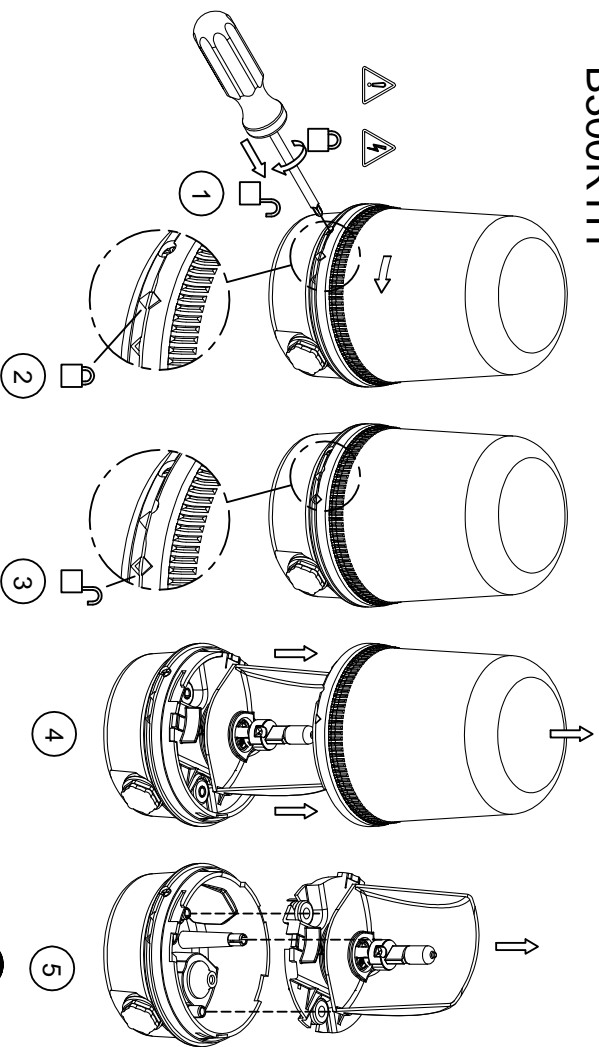
 **ATTENTION:** Disconnect from power source before installation or service to prevent electric shock.

 **ATTENTION:** Lens on unit will be hot allow to cool prior to removal.

 **ATTENTION:** Do not touch the surface of halogen bulb when changing.



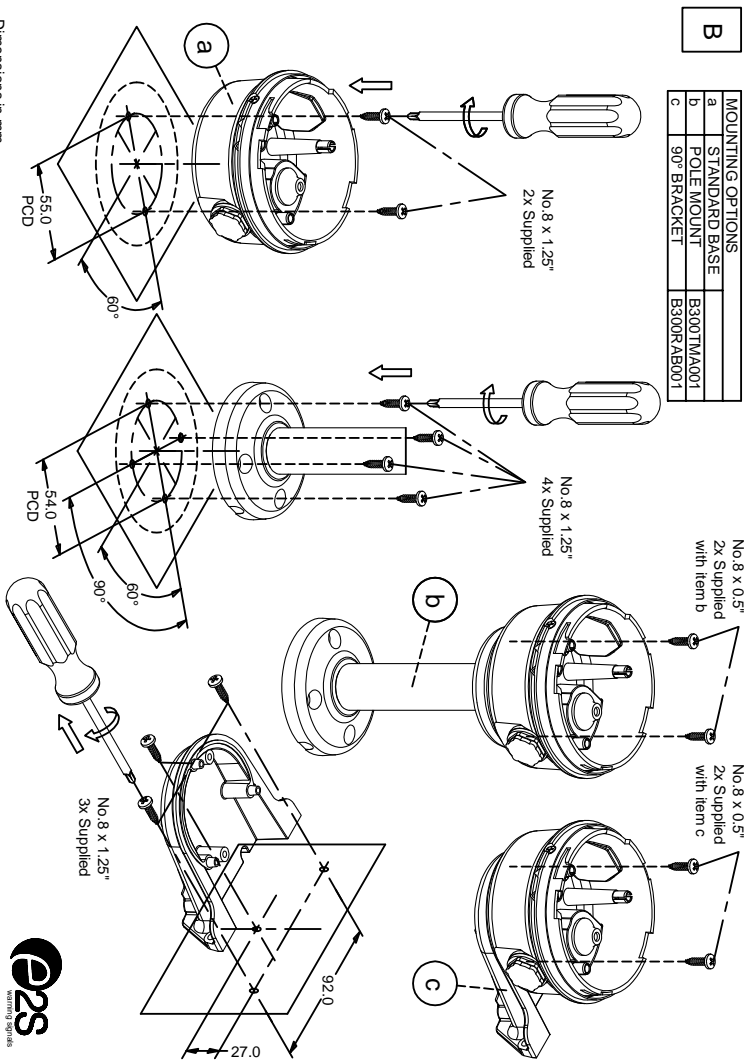
A SPECIIRA B300RTH



Tel : +44(0)20 8743 8880 Fax : +44(0)20 8740 4200
 Mail : sales@e2s.com Web : www.e2s.com



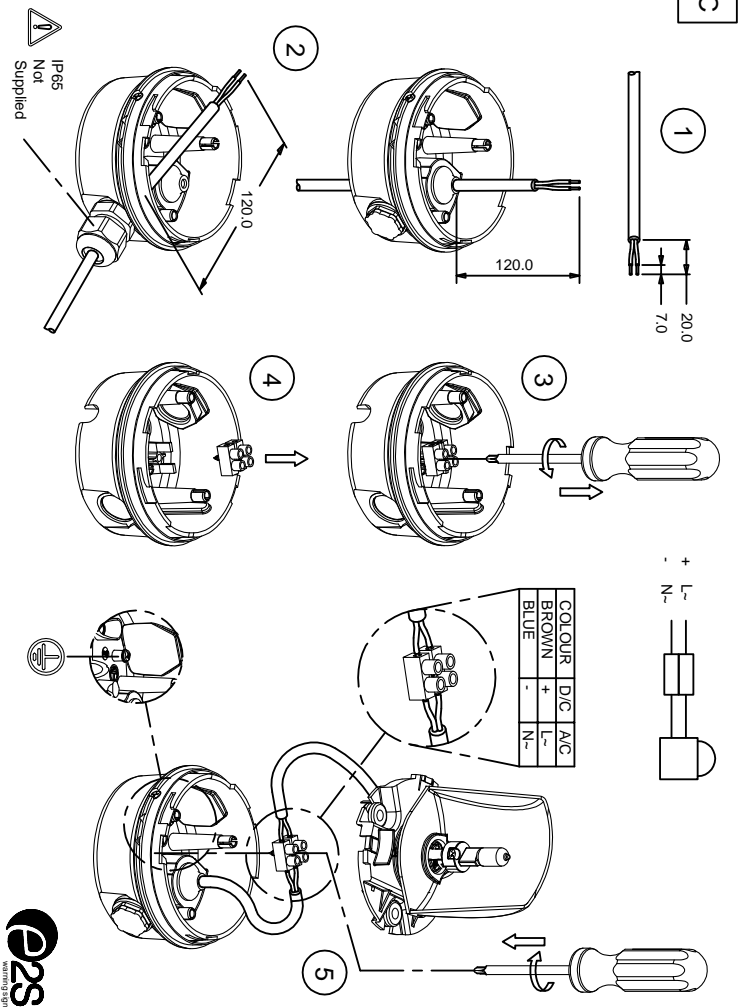
MOUNTING OPTIONS	
a	STANDARD BASE
b	POLE MOUNT
c	90° BRACKET



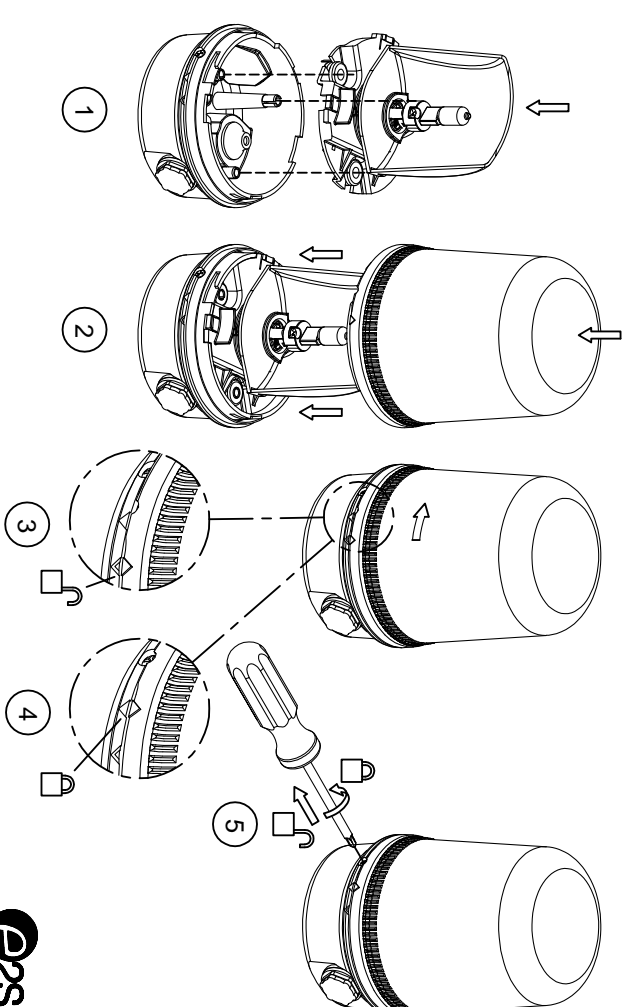
Dimensions in mm



C



D



0113-00-001-15-SHTZ-JSSUE_B

