

1

# SPECTRA B300LDA

L.E.D. Array Beacon  
 16 x High powered L.E.D's  
 9 Selectable user modes  
 IP Rating: IP65  
 Temp: -25°C to +50°C  
 Unit weight: 285g  
 CE

Dimensions : Ø100 x 150mm  
 1.5mm<sup>2</sup> terminals  
 Cable entry: 1 x 5-7mm push through  
 grommet  
 1 x M20 cable entry (IP65)

Order code Voltage  
 B300LDA050B/x 10-50V DC  
 250mA @ 24 V DC  
 B300LDA230B/x 90-230V AC  
 50mA @ 230V AC 90mA @ 115V AC

x = Lens colour  
 R = Red A = Amber  
 B = Blue G = Green  
 Y = Yellow

Mountings  
 B300RAB001 Right angle bracket  
 B300TMA001 Tube mounting assembly

Tel : +44 (0)20 8743 8880 Fax : +44 (0)20 8740 4200  
 email : sales@e2s.com web : www.e2s.com

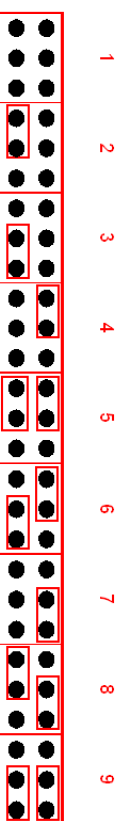


3

## B300LDA

Stage 1 [AC & DC units] Stage2 [DC unit only]

1 All L.E.D's on	Alternate Side Flash 2Hz
2 Rotating: Slow 1	Alternate Side Flash 2Hz
3 Single Strike Flash 2Hz	Rotating: Fast 2
4 Rotating: Fast 1	Single Strike Flash 2Hz
5 Rotating: Slow 2	Double Strike Flash 1Hz
6 Double Strike Flash 2Hz	Rotating: Fast 2
7 Rotating: Fast 2	Double Strike Flash 2Hz
8 Double Strike Flash 1Hz	Alternate Side Flash 2Hz
9 Alternate Side Flash 2Hz	Rotating: Fast 2



PCB Edge



2

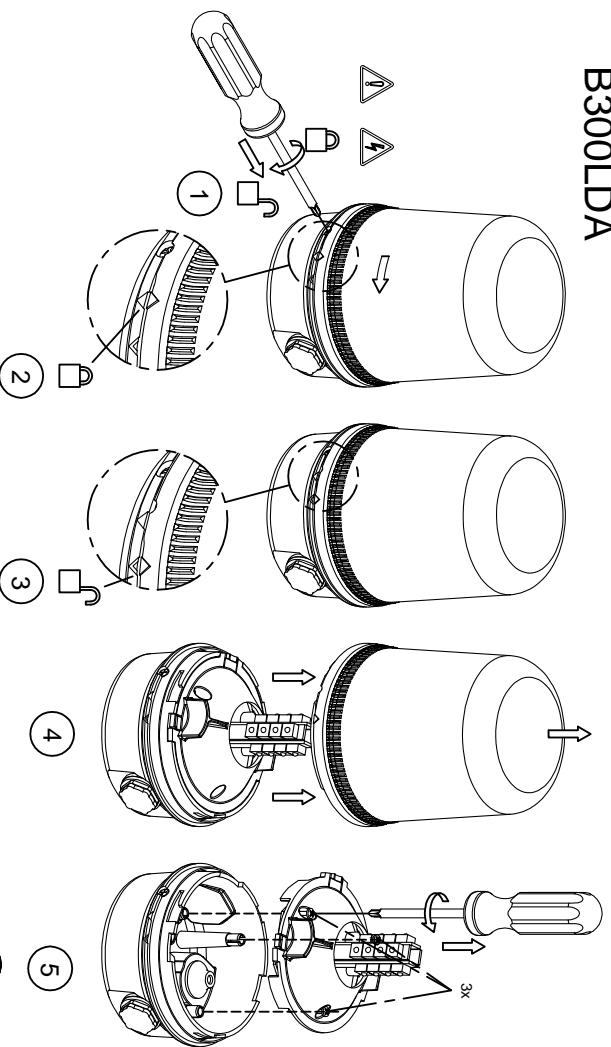
**ATTENTION:** Installation must be carried out by an electrician in compliance with the latest codes and regulations.

**ATTENTION:** Disconnect from power source before installation or service to prevent electric shock.

**ATTENTION:** Lens on unit will be hot allow to cool prior to removal.



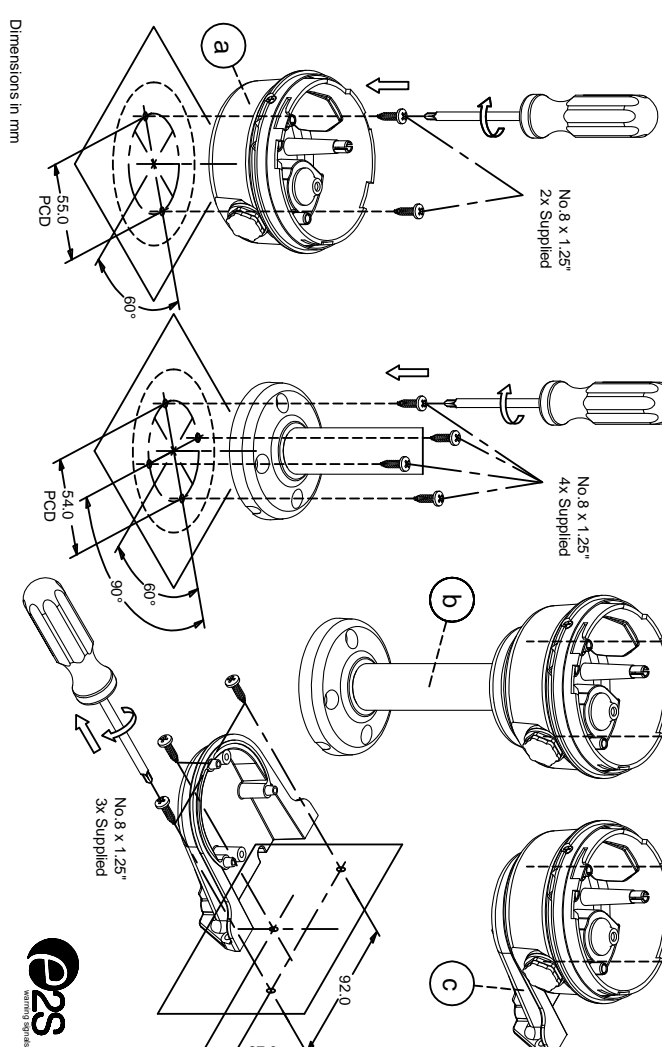
# A SPECIIRA B300LDA



MOUNTING OPTIONS	
a	STANDARD BASE
b	POLE MOUNT
c	90° BRACKET

No. 8 x 0,5" 2x Supplied with item b  
No. 8 x 0,5" 2x Supplied with item c

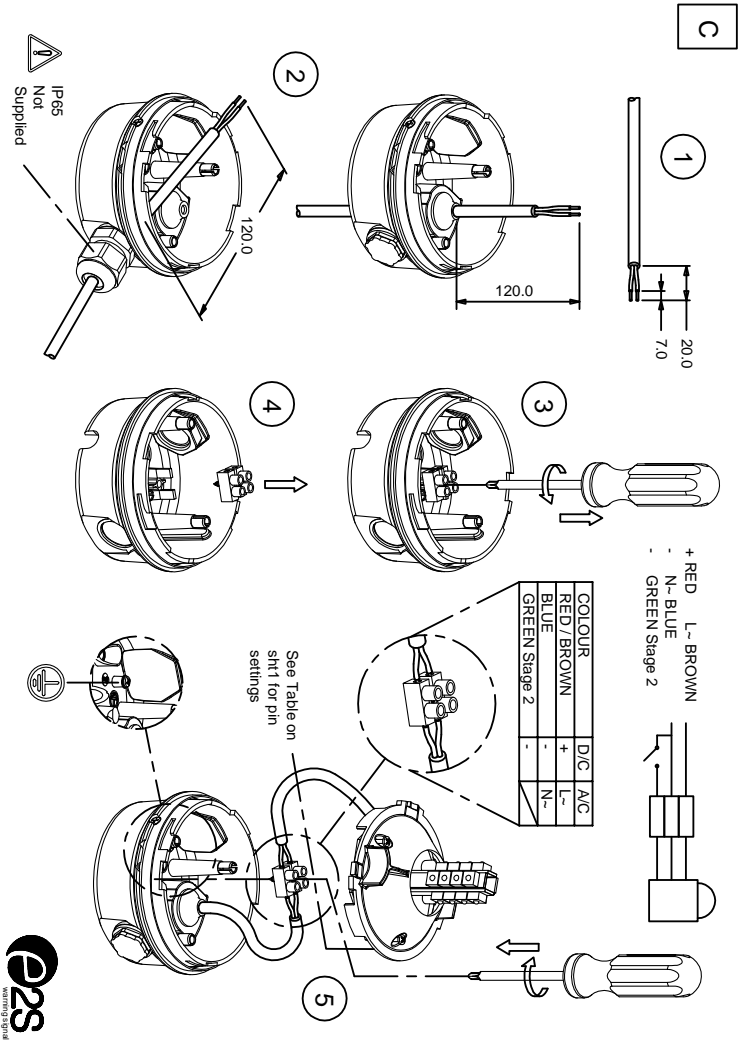
Tel : +44 (0)20 8743 8880 Fax : +44 (0)20 8740 4200  
Mail : sales@e2s.com Web : www.e2s.com



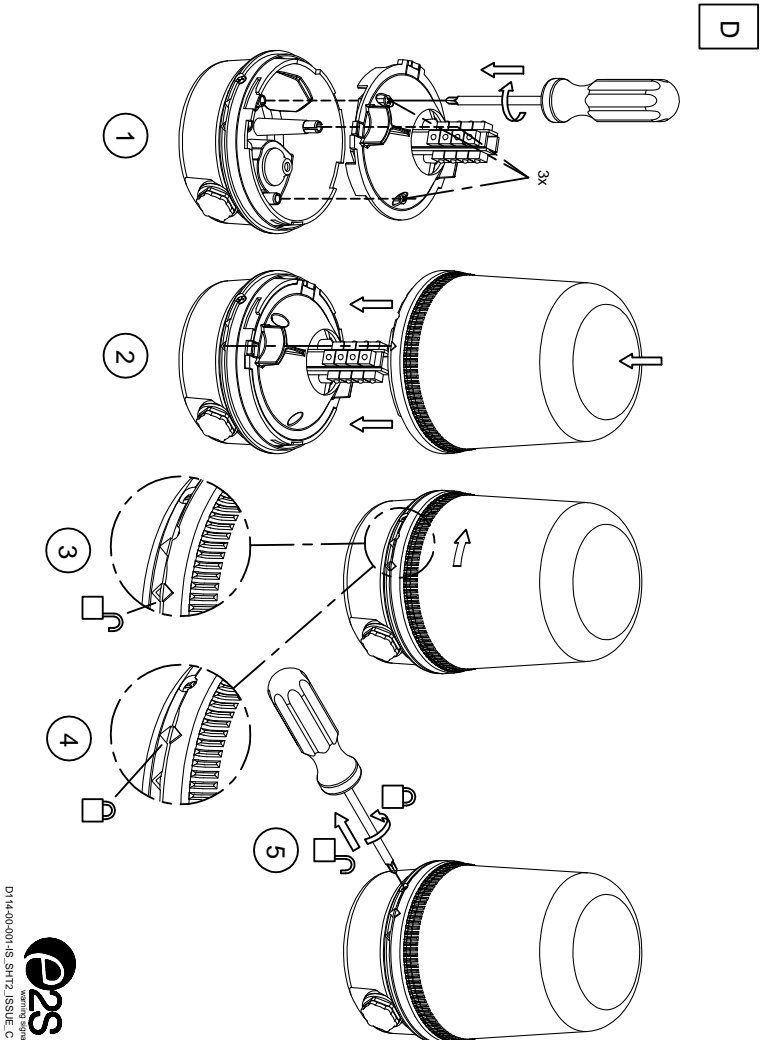
Dimensions in mm



## C



## D



01-14-00-001-15-SHTZ-155UE-C

