

ASM.115.1* Sounder/Beacon (115VAC)

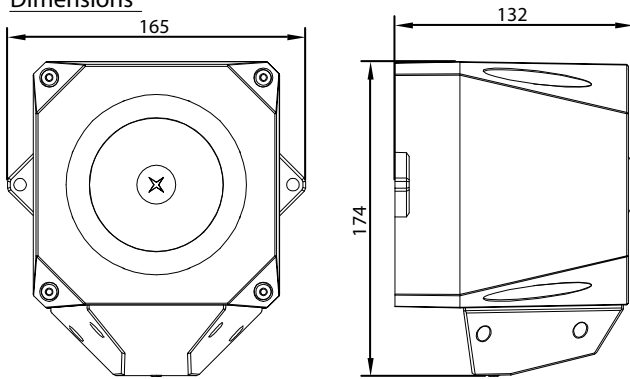
Specification

NOTE: 115VAC are separate products

Sounder	115V AC
Operation	Continuous
Operating Voltage Range	115Vac 50/60Hz
Sound Output @ 1m	See table overleaf
Current Consumption	See table overleaf
Tones	32 see table overleaf
Operating Temperature	-20°C to +70°C
Construction	ABS /PC FR plastic
Termination	0.28~2.5mm ² cable
Ingress Protection	IP66
Fuse	32mA Antisurge, 20mm

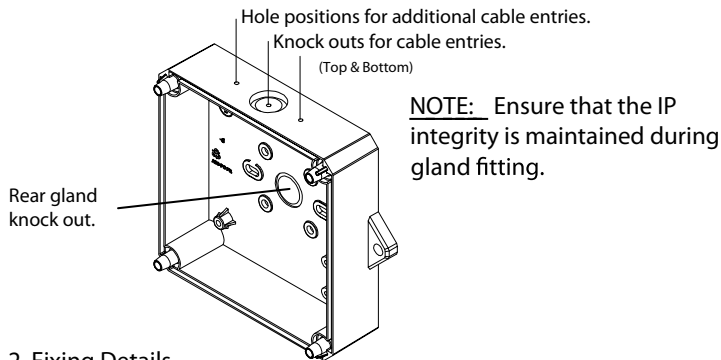
Beacon	115V AC
Operating Voltage Range	115Vac 50/60Hz
Current Consumption	60mA
Rating	2.5 Joules
Operating Temperature	-20°C to +70°C
Construction	ABS /PC FR plastic
Termination	0.28~2.5mm ² cable
Ingress Protection	IP66
Fuse	315mA Antisurge, 20mm

Dimensions



1. Installation

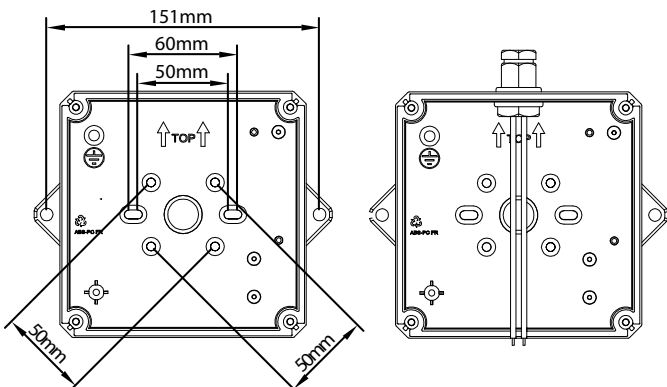
Knockout or drill required cable gland holes, and fix required cable glands.



2. Fixing Details

Fix base to wall using the two external lugs, or to a suitable junction box using the positions indicated in the base. Cut cable to ±130mm. (use the opposite side of the base as a guide)

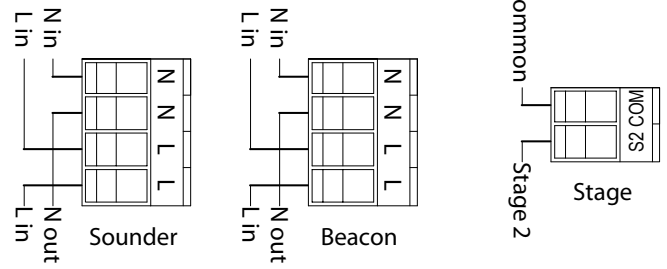
NOTE: If the internal fixing holes are being used ensure that the IP integrity is maintained.



UWAGA: Instalacja urządzenia musi być wykonana zgodnie z obowiązującymi przepisami prawa oraz wytycznymi dotyczącymi wartości zastosowanych napięć. Podłączenia obwodów elektrycznych może dokonać tylko i wyłącznie osoba posiadająca wymagane w tym zakresie uprawnienia do prac elektrycznych.

3. Connection

Remove the terminal blocks from the sounder PCB for cable wiring.

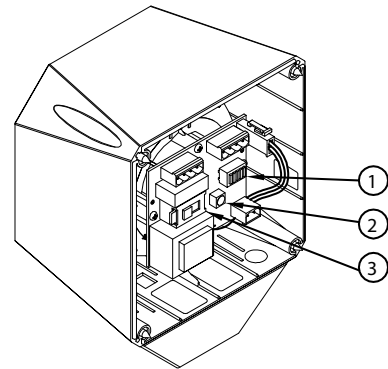


NOTE: Stage 2 tone selection is achieved by connecting the S2 to the common terminal.

DO NOT connect AC mains to these terminals.

NB: A readily accessible disconnect device must be incorporated in the mains supply wiring to this unit.

4. Sounder Settings



1. Tone Switch



See table overleaf.
0 = Open
1 = Closed

2. Volume Control

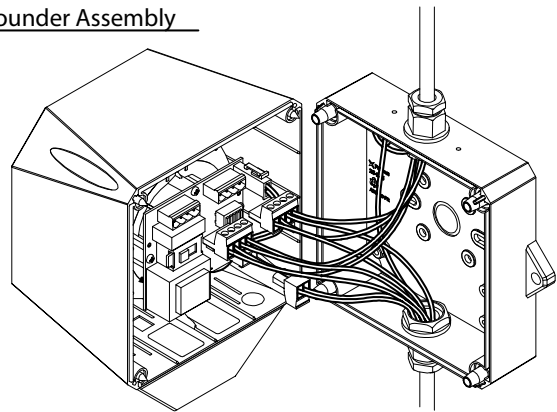


Turn dial clockwise to increase volume.
(Nominal 10dB range)

3. Voltage Select Switch

Ensure that the correct mains input voltage is selected.

5. Sounder Assembly



1. Plug the two 4 way terminal blocks into the 4 way headers on the sounder PCB.
2. Plug the 2 way terminal block into the sounder header on the PCB.
3. Secure the sounder to the base using the bolts provided.



WARNING : Do not remove cover, refer servicing to qualified personnel.
: High voltage present within this equipment.

ASM.115.1*/ASM.230.1* Sounder Tones Table

Primary Tone	Secondary Tone	CODE	TONE					Stage 1 & 2			
			Description	Frequencies	Pattern	Use	Waveform	115Vac		230Vac	
								12345	I (mA)	dB(A)@1m	I (mA)
1	14	11111	Alternating	800 & 970	2Hz (250ms-250ms)	BS5839 Part 1 1988		26	110	13	110
2	14	11110	Sweep	800 & 970	7Hz (7/s)	Fast Sweep (LF) BS5839 Part 1 1988		25	111	12	111
3	14	11101	Sweep	800 & 970	1Hz (1/s)	Medium Sweep (LF) BS5839 Part 1 1988		25	112	12	112
4	14	11100	Continuous	2850	Steady			27	109	14	109
5	4	11011	Sweep	2400 to 2850	7Hz	Fast Sweep		26	110	13	110
6	4	11010	Sweep	2400 to 2850	1Hz			26	111	13	111
7	14	11001	Slow Whoop	300 to 1200	3s sweep, 0.5s silence, then repeat (rep)	Slow Whoop		27	113	13	113
8	14	11000	Sweep	1200 to 500	1Hz	Din Tone		26	112	13	112
9	4	10111	Alternating	2400 & 2850	2Hz (250ms-250ms)			26	110	13	110
10	14	10110	Intermittent	970	0.5Hz (1s On/1s Off)	Back-up Alarm (LF) BS5839 Part 1 1988		26	111	13	111
11	14	10101	Alternating	800 & 970	1Hz (500ms-500ms)	BS5839 Part 1 1988		26	110	13	110
12	4	10100	Intermittent	2850	0.5Hz (1s On/1s Off)	Back-up Alarm (HF)		26	109	13	109
13	14	10011	Intermittent	970	0.8Hz (250ms On/1s Off)	BS5839 Part 1 1988		24	110	12	110
14	14	10010	Continuous	970	Steady	BS5839 Part 1 1988		26	111	13	111
15	14	10001	Alternating	554 & 440	100ms-400ms	French Fire Sound		26	110	13	110
16	16	10000	Intermittent	660	3.3Hz (150ms On/150ms Off)	Swedish Alarm Tone		24	109	12	109
17	17	01111	Intermittent	660	0.28Hz (1.8s On/1.8s Off)	Swedish Alarm Tone		25	110	12	110
18	18	01110	Intermittent	660	0.05Hz (6.5s On/13s Off)	Swedish Alarm Tone		25	110	13	110
19	19	01101	Continuous	660	Steady	Swedish Alarm Tone		25	110	13	110
20	20	01100	Alternating	554 & 440	0.5Hz (1s On/1s Off)	Swedish Alarm Tone		26	110	13	110
21	21	01011	Intermittent	660	1Hz (500ms-500ms)	Swedish Alarm Tone		24	110	12	110
22	14	01010	Intermittent	2850	4Hz (150ms On/100ms Off)	Pelican Crossing		25	109	12	109
23	14	01001	Sweep	800 to 970	50Hz	Low Frequency Buzz BS5839 Part 1 1988		24	111	12	111
24	4	01000	Sweep	2400 to 2850	50Hz	High Frequency Buzz		25	109	13	109
25	25	00111	Intermittent	970	500mS On/500mS Off	ISO 8201 Low Frequency		25	110	12	110
26	26	00110	Intermittent	2850	500mS On/500mS Off	ISO 8201 High Frequency		26	109	12	109
27	27	00101	Continuous	4000	Steady			26	106	13	106
28	10	00100	Alternating	800 & 970	2Hz (250ms-250ms)	FP1063.1-Telecom		26	110	13	110
29	988Hz	00011	Alternating	990 & 650	2Hz (250ms-250ms)(Symphoni tones)	Symphoni Tones		25	109	12	109
30	510Hz	00010	Alternating	510 & 610	2Hz (250ms-250ms)(Squashni Micro tones)	Squashni Micro		26	111	13	111
31	31	00001	Sweep	300 to 1200	1Hz			27	111	13	111
32	27	00000	Alternating	510 & 610	1Hz (500ms-500ms)			26	111	13	111