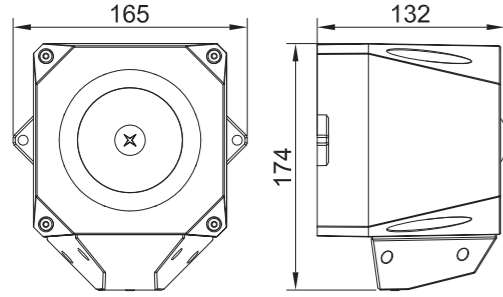


# ASM.024.2\* Sounder/Beacon

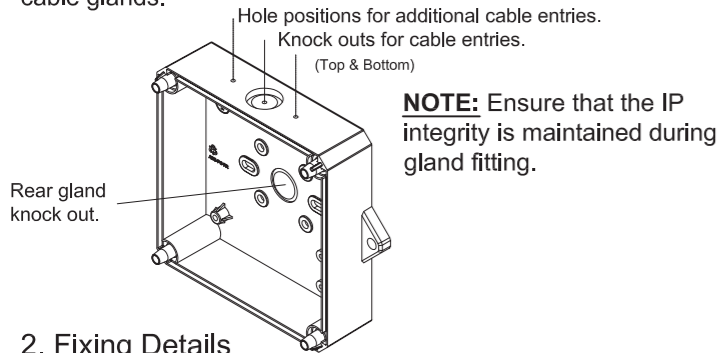
Specification	Sounder	Beacon
Operation	Continuous	Continuous
Operating Voltage Range	9-60 VDC	9-60 VDC
Output	See table overleaf	2.5 Joules
Current Consumption	See table overleaf	615mA@9V - 90mA@60V
Tones	32 see table overleaf	N/A
Operating Temperature	-25°C to +70°C	-25°C to +70°C
Line Monitoring Method	Polarised Input	Polarised Input
Construction	ABS /PC FR Plastic Case	ABS /PC FR Plastic Case
Ingress Protection	IP66	IP66
Termination	0.28~2.5mm <sup>2</sup> cable	0.28~2.5mm <sup>2</sup> cable
Environment Category	Type A/B	Type A/B
Compliance		

## Dimensions



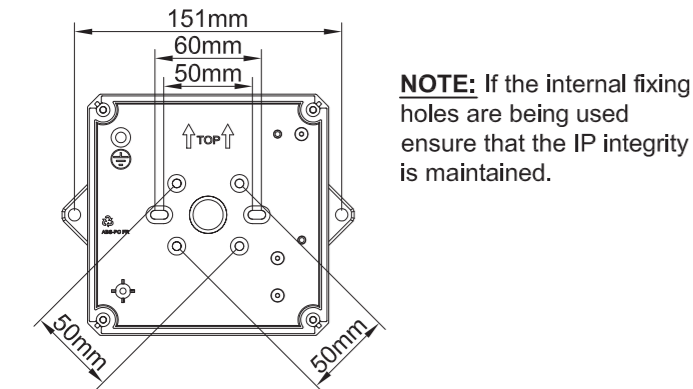
## 1. Installation

Knockout or drill required cable gland holes, and fix required cable glands.



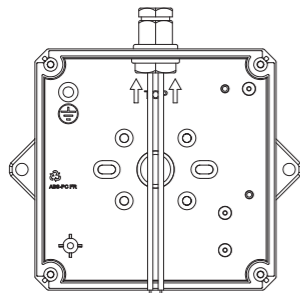
## 2. Fixing Details

Fix base to wall using the two external lugs, or to a suitable junction box using the positions indicated in the base.



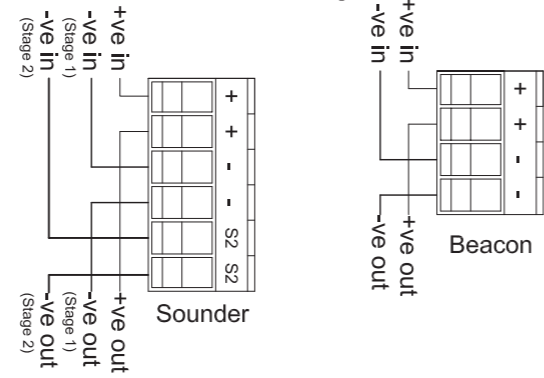
## 3. Cable Preparation

Cut cable to ±130mm. (use the opposite side of the base as a guide)



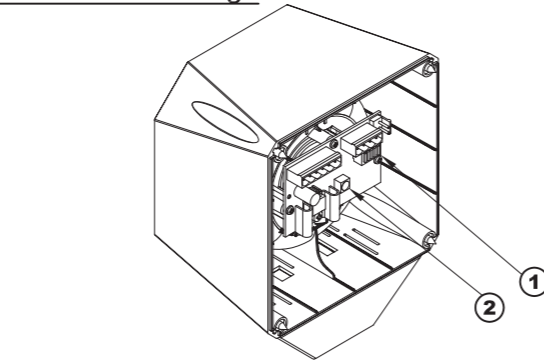
## 4. Connection Details

Remove the terminal blocks from the sounder PCB for cable wiring.



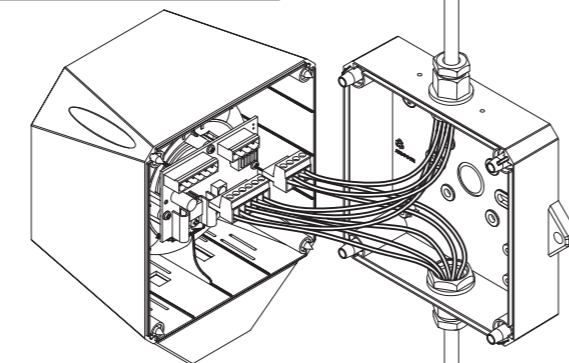
**NOTE:** Stage 2 tone selection is achieved by connecting the S2 input to the -ve (Stage 1) supply.

## 5. Sounder Settings

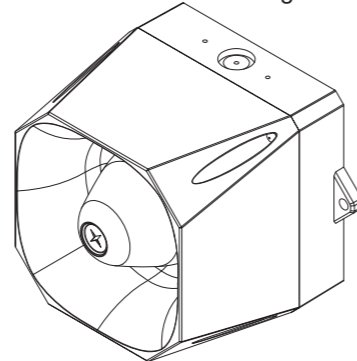


- 1. Tone select switch**  
See table overleaf.  
0 = Open  
1 = Closed
- 2. Volume Control**  
Turn dial clockwise to increase volume. (Nominal 10dB range)

## 6. Sounder Assembly



1. Plug the 4 way terminal block into the 4 way header and the 6 way terminal block into the 6 way header on the sounder PCB.
2. Secure the sounder to the base using the bolts provided.



**UWAGA:** Instalacja urządzenia musi być wykonana zgodnie z obowiązującymi przepisami prawa oraz wytycznymi dotyczącymi wartości zastosowanych napięć. Podłączenia obwodów elektrycznych może dokonać tylko i wyłącznie osoba posiadające wymagane w tym zakresie uprawnienia do prac elektrycznych.

## ASM.024.2\* Sounder Tones Table

Primary Tone	Secondary Tone	CODE	Description	Frequencies	Pattern	Use	Operating Current			SPL
							12Vdc	24Vdc	48Vdc	
				I (mA)	I (mA)	I (mA)	I (mA)	dB(A)@1m		
1	14	12345	Alternating	800 & 970	2Hz (250ms-250ms)	BS5839 Part 1 1988	15	32	35	108
2	14	11111	Sweep	800 & 970	7Hz (7/s)	Fast Sweep (LF) BS5839 Part 1 1988	11	24	26	107
3	14	11101	Sweep	800 & 970	1Hz (1/s)	Medium Sweep (LF) BS5839 Part 1 1988	11	23	27	108
4	14	11100	Continuous	2850	Steady		19	40	44	107
5	4	11011	Sweep	2400 to 2850	7Hz	Fast Sweep	15	31	35	107
6	4	11010	Sweep	2400 to 2850	1Hz		15	31	35	109
7	14	11001	Slow Whoop	300 to 1200	3s sweep, 0.5s silence, then repeat (rep)	Slow Whoop	17	38	42	111
8	14	11000	Sweep	1200 to 500	1Hz	Din Tone	14	31	35	109
9	4	10111	Alternating	2400 & 2850	2Hz (250ms-250ms)		16	35	38	108
10	14	10110	Intermittent	970	0.5Hz (1s On/1s Off)	Back-up Alarm (LF) BS5839 Part 1 1988	13	30	33	108
11	14	10101	Alternating	800 & 970	1Hz (500ms-500ms)	BS5839 Part 1 1988	15	33	37	108
12	4	10100	Intermittent	2850	0.5Hz (1s On/1s Off)	Back-up Alarm (HF)	13	29	32	107
13	14	10011	Intermittent	970	0.8Hz (250ms On/1s Off)	BS5839 Part 1 1988	6	14	16	108
14	14	10010	Continuous	970	Steady	BS5839 Part 1 1988	18	41	45	108
15	14	10001	Alternating	554 & 440	100ms-400ms	French Fire Sound	13	32	36	108
16	16	10000	Intermittent	660	3.3Hz (150ms On/150ms Off)	Swedish Alarm Tone	8	17	21	106
17	17	01111	Intermittent	660	0.28Hz (1.8s On/1.8s Off)	Swedish Alarm Tone	11	26	29	106
18	18	01110	Intermittent	660	0.05Hz (6.5s On/13s Off)	Swedish Alarm Tone	13	30	32	107
19	19	01101	Continuous	660	Steady	Swedish Alarm Tone	13	30	33	107
20	20	01100	Alternating	554 & 440	0.5Hz (1s On/1s Off)	Swedish Alarm Tone	13	32	35	107
21	21	01011	Intermittent	660	1Hz (500ms-500ms)	Swedish Alarm Tone	9	20	23	106
22	14	01010	Intermittent	2850	4Hz (150ms On/100ms Off)	Pelican Crossing	12	25	28	106
23	14	01001	Sweep	800 to 970	50Hz	Low Frequency Buzz BS5839 Part 1 1988	11	24	26	107
24	4	01000	Sweep	2400 to 2850	50Hz	High Frequency Buzz	15	31	34	107
25	25	00111	Intermittent	970	500ms On/500ms Off	ISO 8201 Low Frequency	11	25	29	108
26	26	00110	Intermittent	2850	500ms On/500ms Off	ISO 8201 High Frequency	12	25	28	107
27	27	00101	Continuous	4000	Steady		16	32	39	105
28	10	00100	Alternating	800 & 970	2Hz (250ms-250ms)	FP1063.1-Telecom	14	32	36	108
29	988Hz	00011	Alternating	990 & 650	2Hz (250ms-250ms)(Symphoni tones)	Symphoni Tones	11	23	26	106
30	510Hz	00010	Alternating	510 & 610	2Hz (250ms-250ms)(Squashni Micro tones)	Squashni Micro	14	34	37	108
31	31	00001	Sweep	300 to 1200	1Hz		16	41	44	109
32	27	00000	Alternating	510 & 610	1Hz (500ms-500ms)		14	34	38	108