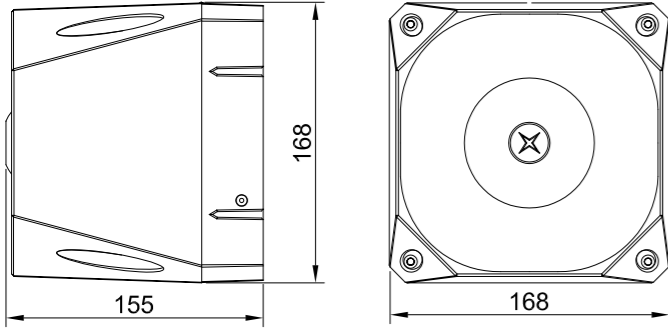


ASSERTA Industrial Sounder (24Vdc)

Specification

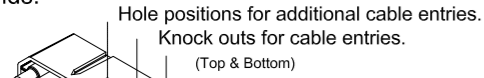
	24Vdc
Operation	Continuous
Operating Voltage Range	18Vdc-28Vdc
Sound Output @ 1m	See table overleaf
Current Consumption	See table overleaf
Tones	42 see table overleaf
Operating Temperature	-25°C to +70°C
Line Monitoring Method	Polarised Input
Construction	ABS /PC Plastic Case
Environment Category	Type A/B
Ingress Protection	IP66
Compliance	EN54-3
	Fire Alarm device-Sounder

Dimensions



1. Installation

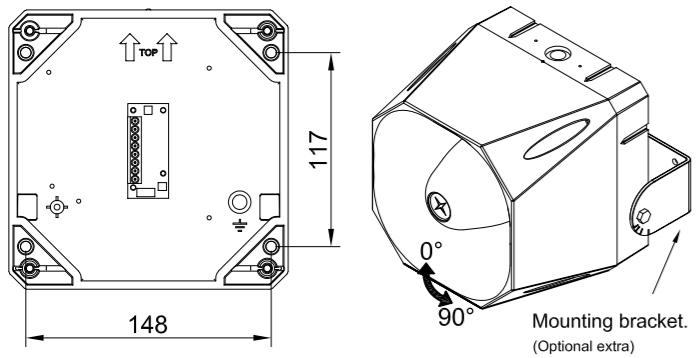
Knockout or drill required cable gland holes, and fix required cable glands.



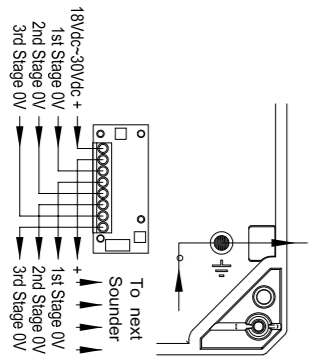
NOTE: Ensure that the IP integrity is maintained during gland fitting. (Take care not to disturb the electronics while drilling. Remove PCB if required)

2. Fixing Details

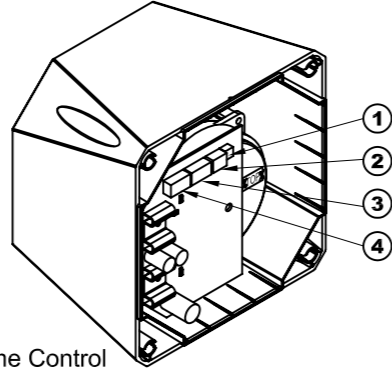
Fix base to wall in 4 positions.



3. Connection Detail



4. Sounder Settings



1. Volume Control

Turn dial clockwise to increase volume. (Nominal 20dB range)

2. Switch 1 (Time out setting)

BIT 123X	Minutes	BIT 123X	Minutes
111X	5	011X	25
110X	10	010X	30
101X	15	001X	40
100X	20	000X	∞

0 = Open
1 = Closed

Switch 1 bit 4 is to select voice (0)/ no voice (1). (Where fitted)

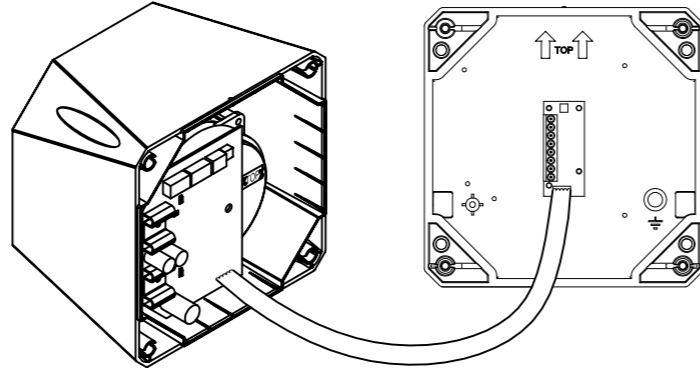
3. Switch 2 (Stage1 tone selection)

See table overleaf.

4. Switch 3 (Stage 2 tone selection)

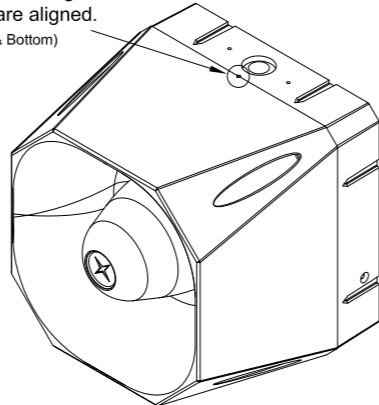
See table overleaf. (Stage 3 Tone is dependent on the setting of switch 2)

5. Sounder Assembly



1. Plug the 5 way ribbon cable into the base header.
2. Ensure that the top indicator on the base is aligned with the top indicator on the sounder, and push the sounder onto the base.
3. Secure the sounder to the base using the bolts provided.

Ensure that guide ribs are aligned. (Top & Bottom)



WARNING : On some tones the output level can exceed 120dB(A) @ 1m. Consult the relevant or appropriate health and safety regulations for guidelines. Tones Table overleaf.
NOTE : Polar dispersion information available in the technical manual. (Ref.M03-003)

CE marking under CPD was affixed on: (see batch code on product)
Fulleon Ltd, Cwmbran, South Wales, UK.

AS 110 0832-CPD-0566
AS 120 0832-CPD-0520



1st & 2nd Tone Bank	3rd Tone Bank	Switch Setting (0=Open)	Pattern	Frequency (Hz)	Rate	Tone Description	Market	Asserta 110		Asserta 120	
								Average current @ max vol @ 24VDC mA	24Vdc on axis on 1M dB(A)	Average current @ max vol @ 24VDC mA	*24Vdc on axis on 1M dB(A)
A 1	A14	123456	Alternating	970 then 800	2Hz (250ms-250ms)		EVIAN	108	111	450	117
A 2	A14	111111	Alternating	800 to 970	7Hz (7/s)			103	112	450	120
A 3	A14	111101	Sweep	800 to 970	1Hz (1/s)			105	112	450	120
A 4	A9	111100	Continuous	2850	S steady			122	106	445	109
A 5	A4	111011	Sweep	2400 to 2850	7Hz			119	103	447	109
A 6	A4	111010	Sweep	2400 to 2850	1Hz			121	105	446	110
A 7	A14	111001	Slow whoop	500 to 1200	3s sweep, 0.5s silence, then repeat (rep)	Slow Whoop Netherlands		115	111	340	119
A 8	A14	111000	Sweep (DIN)	1200 to 500	1Hz	Din / PFEER (PAPA)		111	112	430	119
A 9	A4	110111	Alternating	2850 then 2400	2Hz (250ms-250ms)			121	108	450	112
A 10	A14	110110	Intermittent	970	0.5Hz (1s On/1s Off)	PFEER alert		71	108	229	117
A 11	A14	110101	Alternating	970 then 800	1Hz (500ms-500ms)			106	109	375	116
A 12	A4	110100	Intermittent	2850	0.5Hz (1s On/1s Off)			89	107	235	109
A 13	A14	110011	Intermittent	970	0.8Hz (250ms On/1s Off)	AS P		35	108	100	107
A 14	A8	110010	Continuous	970	S steady	PFEER - Toxic gas		104	109	450	117
A 15	A14	110001	Alternating	440 then 554	100ms-400ms	France NFS 32 S 32-001		76	106	294	115
A 16	A14	110000	Intermittent	660	3.3Hz (150ms On/150ms Off)	Swedish (Air raid)		60	106	232	114
A 17	A14	101111	Intermittent	660	0.28Hz (1.8s On/1.8s Off)	Swedish (Local warning)		88	106	220	115
A 18	A14	101110	Intermittent	660	0.05Hz (6.5s On/13s Off)	Swedish (Pre-mess)		101	106	150	115
A 19	A1	101101	Continuous	660	S steady	Swedish (All clear)		103	107	429	116
A 20	A19	101100	Alternating	440 then 554	0.5Hz (1s On/1s Off)	Swedish (Turn out)		83	106	312	115
A 21	A4	101011	Intermittent	660	1Hz (500ms-500ms)	Swedish		66	106	220	115
A 22	A4	101010	Intermittent	2850	4Hz (150ms On/100ms Off)	Swedish		83	105	286	108
A 23	A14	101001	Sweep	800 to 970	50Hz			102	109	419	117
A 24	A4	101000	Sweep	2400 to 2850	50Hz			120	106	440	110
A 25	A14	100111	Intermittent	970	3 x 500ms pulses followed by 1.5s silence then repeat	ISO 8201/JUS Temporal		62	109	180	117
A 26	A4	100110	Intermittent	2850	3 x 500ms pulses followed by 1.5s silence then repeat	ISO 8201/JUS Temporal		64	107	180	109
A 27	A6	100101	Continuous	4000	S steady			109	101	450	105
A 28	A14	100100	Alternating	970 then 800	2Hz (250ms-250ms)			106	109	414	116
A 29	A14	100011	Alternating	990 then 650	2Hz (250ms-250ms) (Symphoni tones)			104	109	444	117
A 30	A14	100010	Alternating	510 then 610	2Hz (250ms-250ms) (S quashmi Micro tones)			96	107	370	116
A 31	A14	100001	Sweep	300 to 1200	1Hz			84	110	285	118
A 32	A3	100000	Continuous	Bell	S steady	See attached for waveform details		120	111	450	117
A 33	A14	111111	Intermittent	Bell	3 x 500ms pulses followed by 1.5s silence then repeat	Bell / US temporal		69	111	180	117
A 34	A4	111110	Alternating	1000 then 2000	1Hz (500ms-500ms)	Singapore		112	107	450	115
A 35	A14	111101	Intermittent	420	6 step ramped start pulsed @ 0.625S ON / 0.625S OFF	Australian alert		46	108	140	116
A 36	A14	111100	Sweep	500 to 1200	Sweep 3:7:5s followed by 0.25s gap	Australian evac		91	109	340	117
A 37	A14	110111	Sweep	1400 to 1600	Sweep up 1s, sweep down 0.5s	NF C 48-265		122	108	448	116
A 38	A14	110110	Sweep	500 to 1200	Sweep UP & DOWN over 3s	Siren		94	109	310	117
A 39	A14	110011	Intermittent	720	0.7s ON, 0.3s OFF	German ind alarm		110	110	310	117
A 40	A14	110001	Sweep	422 to 775	Sweep for 0.85s, 1s delay, repeat	NFPA Whoop		60	109	180	118
A 41	A3	101111	Continuous	470	S steady	Horn (USA)		85	104	340	114
A 42	A3	101110	Continuous	370	S steady	Air horn (USA)		76	104	272	113

Note (a): Tones approved under the Construction Products Directive for Fire Alarm Applications, are shown in the column marked EN54-3.
Note (b): EN54-3 measurements shown reflect minimum expected SPL readings at Maximum Volume at the Loudest Point around the EN54-3 defined sounder axis.
Note (c): All other tone measurements reflect manufacturers data based on 'on axis' measurements, and are not verified by a Notified body.
Note (d): Detailed EN54-3 polar SPL measurements are available in the Product Manual for the appropriate sounder.
Note (e): All measurements taken at 20°C operating temperature.