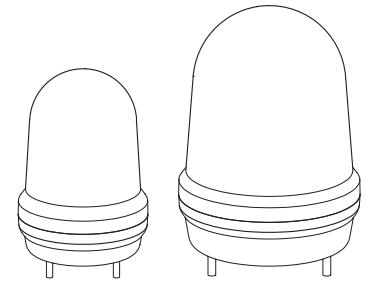


Multiple Function LED Signal Light

MFL



Thank you for purchasing Qlight's products. Please read this user manual carefully prior to installation and operation to ensure safe and correct use.

⚠️ Precautions for Safety

Failure to follow the instructions below may cause a loss of life or serious physical injury.

1. During wiring or maintenance, please completely turn off the power of the product. (Failure to follow this may lead to an electric shock.)
2. Do not install the product in locations that subjects it to excessive dust or water other than the conditions designated by the IP protection ratings indicated for each product. (Failure to follow these instructions may cause a fire to the product, electric shock, physical injury, malfunction or damage to the product.)
3. Do not alter or repair this product. If maintenance or repair service is required, please contact your local Qlight contact point. (Failure to follow these instructions may lead to fire, electric shock, or product damage.)
4. Please apply the correct voltage to the product. (Failure to follow these instructions may lead to fire, electric shock, or product damage.)
5. When the product is applied to a condition that may impact lives or property, please make sure to have a double safety device. (Failure to follow this may cause damage to property, fire, electric shock and loss of life.)

⚠️ Precautions for Correct Use

Failure to follow the proper instructions may cause damage to property, the product, or malfunction of the product that would void the warranty.

1. Please remove any objects that can interrupt ventilation around the product.
2. Please turn off the power of the product immediately if it fails to operate properly.
3. Carefully wire the product according to each product's specification.
4. Please be careful in preventing chemicals such as thinner, benzene, etc. in contact with the surface of the product.
5. Do not apply excessive force/impact to the product.
6. Failure to follow any of the instructions above may cause malfunction or damage to the product, fire, and electric shock.

Ordering Specifications

MFL100	BZ	110/220	R
[Model number]	[Buzzer]	[Voltage]	[Color]
• MFL60	• (Blank)	• 12/24	R-Red
• MFL80	- No buzzer type	-DC12V~24V	A-Amber
• MFL100	• BZ	• 110/220	G-Green
• MFL125	-Built-in buzzer type	-AC110V~220V	B-Blue



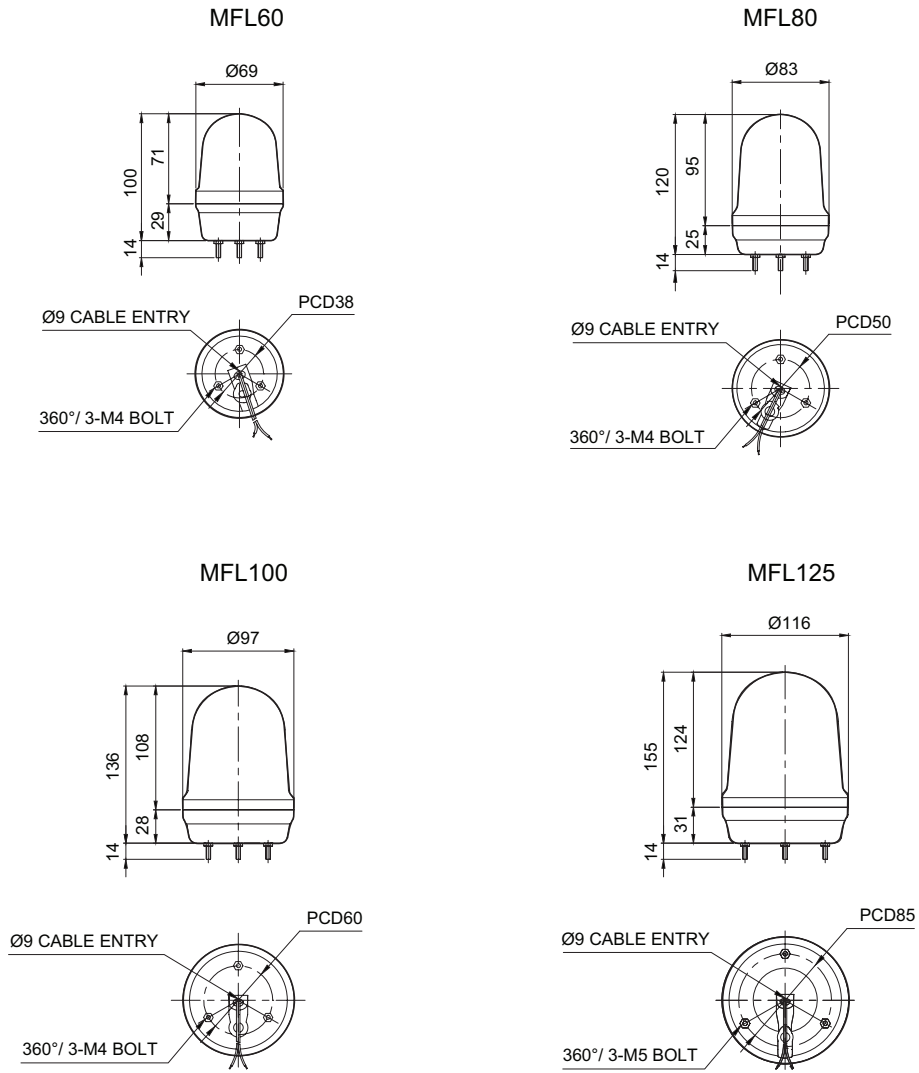
Please scan the QR code for more detailed product information.

www.qlight.com

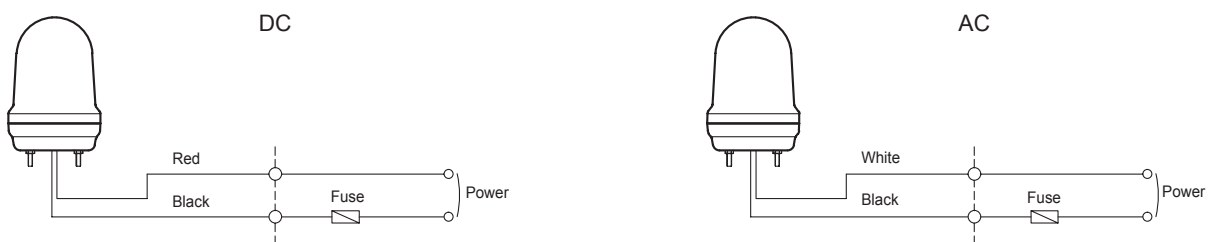
Product Specifications

Model number	Voltage	Current	Certificate	Weight	Color
MFL60	DC12V~24V	Max. 0.140A	 DC only	0.21kg	R-Red A-Amber G-Green B-Blue
	AC110V~220V	Max. 0.045A		0.32kg	
MFL80	DC12V~24V	Max. 0.190A		0.28kg	
	AC110V~220V	Max. 0.052A		0.51kg	
MFL100	DC12V~24V	Max. 0.255A		0.30kg	
	AC110V~220V	Max. 0.067A		0.52kg	
MFL125	DC12V~24V	Max. 0.255A	0.52kg		
	AC110V~220V	Max. 0.067A	0.92kg		

- Protection rating : IP65
- Ambient operating temperature : -30°C to +50°C



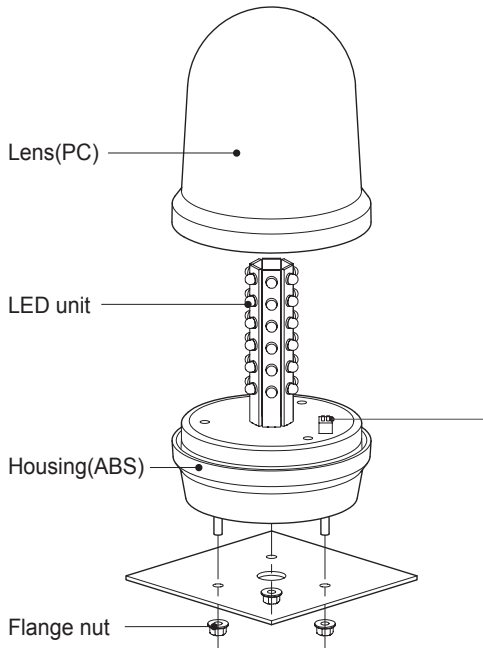
Wiring Instructions



- DC/ AC type cable specification : External power line - UL1015 AWG18(0.75sq) x 2C 400mm .
- DC type product can be wired regardless of polarity.
- For built-in buzzer type, there is a shared supply line for the buzzer and lighting element.

Parts Definition/ Light Function Selection

■ Parts Definition



- First, remove the flange nuts from bolts and place the product through the mounting surface holes.
- Fasten the flange nuts on the opposite side of the mounting surface until the product is tightened securely.

■ Light Function Selection

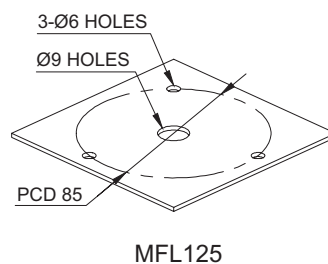
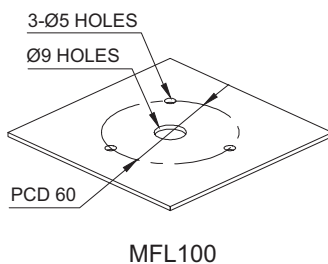
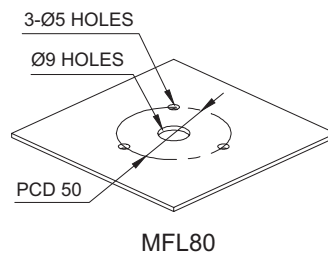
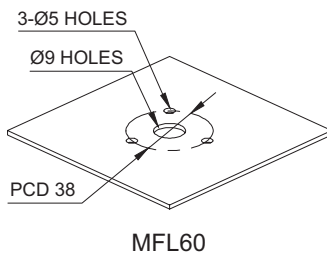
- Please refer to the chart below to use light function selection switch located inside the product.

No.	Light function		
	1	2	
0	0	0	Steady LED
1	0	1	Flashing LED
2	1	0	Strobe LED
3	1	1	Simulated revolving/ flashing LED

- Default function is set at steady LED. Select the desired function for your application during installation.

Mounting Hole Specifications

- Machine holes on the mounting surface referring to the diagram below.



Installation Environment and Protection Rating

- This product is designed for use with protection rating of IP65.
- If the product is installed in locations that subject it to excessive dust or water other than the designated IP protection rating indicated(IP65), it may cause malfunction or damage to the product.
- In case of outdoor applications, install the product in the upright position. Do not install the product horizontal or upside-down positions where water can potentially penetrate into the product and impact it's operation.
- For further information, please visit our website (<http://www.qlight.com>).

Mounting Accessories (Sold Separately)

• Please refer to the dimensions below for installation of mounting brackets.

	Dimensions	
MFL60	<p>TWS45</p>	<p>TWA45</p>
MFL80	<p>TWS80</p>	<p>TWA80</p>
MFL100 MFL125	<p>SWP125</p>	<p>SWM125</p>

Qlight

Innovation in Alarm & Signal

Product Operation Inquiry / Customer Support +82-55-328-4082

You can expect prompt service if you have exact information such as model name, symptom, telephone number and address.

※ ALL PRODUCT, PRODUCT SPECIFICATIONS AND DATA ARE SUBJECT TO CHANGE WITHOUT NOTICE TO IMPROVE RELIABILITY, FUNCTION OR DESIGN OR OTHERWISE.

Head office : A-412, 579 Kyungin-Ro, Guro-Gu, Seoul, Korea (Postal Code : 08212)

Factory : 185-25, Mukbang-Ro, Sangdong-Myeon, Gimhae-Si, Gyeongsangnam-Do, Korea (Postal Code : 50805)

www.qlight.com

EN-1806A