

# BExCBGL2-L2 Explosion Proof Dual LED Beacon

The flameproof BExCBGL2-L2 dual LED beacons are suitable for Zone 1, 2, 21 & 22 applications. Approved to IECEx and ATEX standards.

The BExCBGL2-L2D dual LED beacons robust construction enables installation in the harshest of environments. The beacons may be connected from a single supply for simultaneous operation or from separate supplies for independent operation.

The BEx range features enclosures manufactured from corrosion proof, marine grade copper free LM6 aluminium with a chromate and powder coat finish. All models have two M20 cable entries, large termination areas containing in & out terminals and an ingress protection of IP66/67.

## Features

- Marine grade, corrosion proof, LM6 aluminium enclosure
- Automatic synchronisation on multi-beacon system.
- Beacons can be set to 'flip-flop' alternating mode with other units on multi-beacon systems.
- Xenon tubes mechanically secured against shock & vibration
- Glass lens & Stainless Steel guard
- Very large termination area.
- Dual M20 cable entries – adaptors available.
- Stopping plug included.
- Ratchet adjustable stainless steel 'U' bracket.
- Reverse polarity diode fitted.
- IP66/67 ingress protection.
- 160+160 candela effective light intensity.
- UV stable PC, field replaceable, colour lens filters.

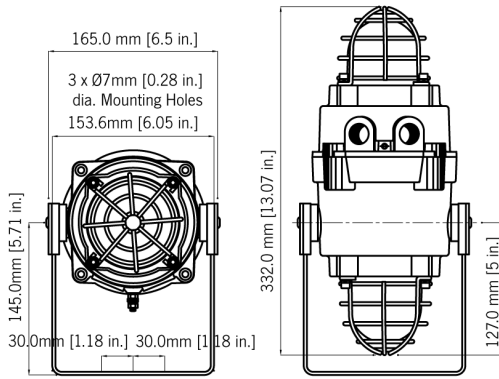
## Approvals

- IECEx KEM 10.0024X
- ATEX KEMA 00ATEX2222X
- TR-CU Ex EAC certificate: RU C-GB.AA71.B.00109
- INMETRO certificate: IEx 19.0092X

## Coding

- II 2G Ex d IIB T6 Gb Ta. -50°C to +55°C
- II 2G Ex d IIB T5 Gb Ta. -50°C to +70°C
- II 2D Ex tb IIIC T65°C Db Ta. -50°C to +40°C
- II 2D Ex tb IIIC T80°C Db Ta. -50°C to +55°C
- II 2D Ex tb IIIC T95°C Db Ta. -50°C to +70°C





## Specification

Source:	Dual arrays of 4 x High Power Cree® LED's
Modes:	1Hz flash (60 fpm) 1.5Hz flash (90 fpm) 2Hz flash (120 fpm) Double strike flash Triple strike flash High Power Steady Low Power Steady
Eff. Intensity cd:	87 cd - High Power Steady (each beacon)
Eff. Intensity cd:	160 cd - 1Hz flash (each beacon)
Lens colours:	Amber, Blue, Clear, Green, Magenta, Red & Yellow
Voltages DC:	24vdc
Voltages AC:	115vac; 230vac
Ingress protection:	IP66/67
Enclosure matl:	Marine grade copper free LM6 Aluminium
Enclosure finish:	Chromate & powder coated finish - anti-corrosion.
Colour:	RAL3000 Red (others available on request)
Cable entries:	Dual M20 ISO (one stopping plug inc)
Terminals:	0.5 - 2.5mm <sup>2</sup> (20-14 AWG)
Enclosure volume:	<2 litres
Line monitoring:	Blocking diode included EOL Min. 500 Ohm 2w, or 3k3 Ohm 0.5w resistor or diode (DC versions) can be fitted
Grounding stud:	M5
Temperature range:	-50° to +70°C (-58°F to +158°F)
Relative humidity:	95% - Additional tropicalisation is recommended for applications where both high relative humidity and high ambient temperatures exist
LED life:	60,000 hours
Weight:	DC: 4.00kg/8.8lbs AC: 4.35kg/9.57lbs
*All candela data is representative of performance with clear lens at optimum voltage.	

## Part Codes

<b>Version:</b>	<b>Part code:</b>		
Product type:	BExCBGL2L2	Explosion proof Dual LED Beacon	
Type:	DP	Ex d, UV stable PC Colour Lenses	
Voltage:	DC024	24V dc	
	AC115	115V ac	
	AC230	240V ac	
Cable Entry Type:	A	2 x M20x1.5mm	
[e]	B	2 x 1/2" NPT - adaptors	
	C	2 x 3/4" NPT - adaptors	
	D	2 x M25x1.5mm - adaptors	
	E	1 x 1/2" NPT - adaptor	
	F	1 x 3/4" NPT - adaptor	
	G	1 x M25x1.5mm - adaptor	
Adaptor/Stopping plug material: [m]	B	Brass	
	N	Nickel Plated	
	S	Stainless Steel	
Bracket/guard matl & tag: [s]	1	A2 304 Stainless Steel	
	2	A4 316 Stainless Steel	
	3	A2 304 St/St with Equip. Tag	
	4	A4 316 St/St with Equip. Tag	
Product version: [v]A1		Default - IECEx, ATEX	
Enclosure colour: [x]	R	Red RAL3000	
	S	Special - contact E2S	
1st LED lens colour: [y]	A	Amber	A Amber
	B	Blue	B Blue
	C	Clear	C Clear
2nd LED lens colour: [y]	G	Green	G Green
	M	Magenta	MMagenta
	R	Red	R Red
	Y	Yellow	Y Yellow

## Current Consumption

Version:	Voltage:	Steady High Power:	Steady Low Power:	Flashing 1Hz:
24V dc	18-54V dc	240mA	134mA	110mA
115V ac	103.5-126.5V ac 50/60Hz	95mA	78mA	90mA
230V ac	207-253V ac 50/60Hz	48mA	37mA	45mA

Current listed per beacon

## E2S Warning Signals sales@e2s.com www.e2s.com

No liability is accepted for any consequence of the use of this document. The technical specification of this unit is subject to change without notice due to our policy of continual product development. All dimensions are approximate. This unit is sold subject to our standard conditions of sale, a copy of which is available on request.

## Multi-function patterns

Stage 1:	Stage 2:	Stage 3:
[On board]	[Remote]	[Remote]
Steady High Power Flashing 1Hz		Triple Strike

14 Sep 2019