

# E2xC1X05R Combination Radial Horn & Strobe

The hazardous location E2xC1X05R combined alarm sounder and Xenon strobe beacon is UL/cULs approved for Class I Div 2 and Class II Div 2 as well as IECEx and ATEX certified for Zone 2 and 22 applications.

The E2xC1X05R combines a 114dB(A) alarm sounder with a 5 Joule Xenon strobe beacon providing a complete audio-visual signalling solution whilst reducing the installation time and costs associated with multiple unit installations.

The E2x range features enclosures manufactured from lightweight, corrosion proof PPS and high impact, fire retardant ABS radial horns (providing omnidirectional sound dispersion); both of which are suitable for the harshest of environments.

## Features

- Very large termination area.
- Ratchet adjustable stainless steel 'U' bracket.
- Stainless Steel dome guard as standard
- Xenon tube mechanically secured against vibration/shock.
- User replaceable Xenon tube assembly.
- Automatic synchronisation on multi-sounder system.
- Duplicate cable terminations (in & out for daisy-chain installations).
- Tropicalisation available on request.
- Available with custom tone configurations and frequencies.

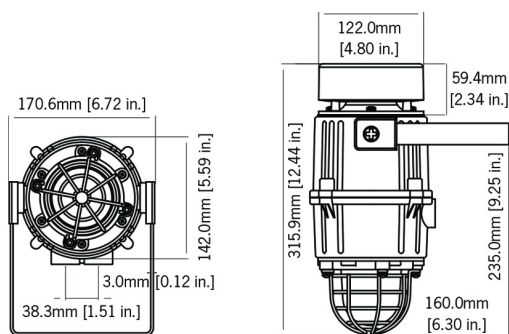
## Approvals

- ATEX certificate: DEMKO 06 ATEX 0421554X
- IECEx certificate: IECEx ULD 14.0012X
- UL/cUL File ref: E230764

## Coding

- ATEX / IECEx certification
  - II 3G Ex nA IIC T3 Gc Ta -20°C to +40°C
  - II 3G Ex nA IIC T2 Gc Ta -20°C to +55°C
  - II 3D Ex tc IIIC 85°C Dc Ta -20°C to +40°C
  - II 3D Ex tc IIIC 100°C Dc Ta -20°C to +55°C
- NEC Class / Zone ratings US
  - Class I Zone 2 AEx nA IIC T3 Gc Ta -20°C to +40°C
  - Class I Zone 2 AEx nA IIC T2 Gc Ta -20°C to +55°C
  - Zone 22 AEx tc IIIC 85°C Dc Ta -20°C to +40°C
  - Zone 22 AEx tc IIIC 100°C Dc Ta -20°C to +55°C
- CEC Class / Zone ratings Canada
  - Ex nA IIC T3 Gc Ta -20°C to +40°C
  - Ex nA IIC T2 Gc Ta -20°C to +55°C
  - Ex tc IIIC 85°C Dc Ta -20°C to +40°C
  - Ex tc IIIC 100°C Dc Ta -20°C to +55°C
- NEC & CEC Class / Division Ratings for US / Canada
  - Class I, Div 2, ABCD T2D Ta -20°C to +55°C
  - Class I, Div 2, ABCD T3 Ta -20°C to +40°C
  - Class II, Div 2, FG T5 Ta -20°C to +55°C
  - Class II, Div 2, FG T6 Ta -20°C to +40°C





## Specification

### Alarm Horn Sounder:

Maximum output:	114dB(A) @ 1 metre [105dB(A) @ 10ft/3m]
Nominal output:	110dB(A) @ 1m +/- 3dB - Tone 2 [102dB(A) @ 10ft/3m]
No. of tones:	45 (UKOOA/PFEER compliant)
No. of stages:	3
Volume control:	Max. 113dB(A) Min. 105dB(A) - Tone 2
Effective range:	100m/328ft @ 1KHz

### Xenon Strobe Beacon:

Energy:	5 Joules (5Ws)
Flash rate:	1Hz (60 fpm)
Peak Candela:	500,000 cd - calculated from energy (J)
Effect. Intensity cd:	250 cd - calculated from energy (J)
Peak Candela:	34,122 cd* - measured ref. to I.E.S.
Effective Intensity cd:	108 cd* - measured ref. to I.E.S.
Lens colours:	Amber, Blue, Clear, Green, Magenta, Red & Yellow

### General:

Voltages:	24vdc; 48vdc; 115vac; 230vac
Ingress protection:	IP rating per EN60079-0:IP64 IP rating per EN60529:IP66 Type rating per UL50E/NEMA250:4/4X/13
Enclosure material:	UL94V0 PPS & ABS
Lens material:	Borosilicate glass dome with PC prismatic lens cover.
Guard:	Stainless Steel dome guard as standard
Cable entries:	Dual M20x1.5 or 1/2"NPT
Terminals:	0.5 - 2.5mm <sup>2</sup> (20-14 AWG)
Line monitoring:	Blocking diode included EOL can be factory fitted
Operating temp:	-20 to +55°C [-4° to +131°F]
Storage temp:	-40 to +70°C [-40° to +158°F]
Relative humidity:	90% at 20°C [68°F]
Weight:	DC: 3.00Kg/6.6lbs AC: 3.50kg/7.7lbs

\* All candela data is representative of performance with clear lens at optimum voltage.

## Part Codes

Part Code:	Ident.:	Description:
Product type:	E2xC1X05	Combined alarm horn & Xenon
Type:	R	Radial omni-directional horn
Voltage:	AC115 AC230 DC012 DC024 DC048	115V ac 50/60Hz 230V ac 50/60Hz 12V dc (10-14Vdc) 24V dc (20-28Vdc) 48V dc (42-54Vdc)
Cable entries:[e]	A B C	M20x1.5 & ½" NPT M20x1.5 & M20x1.5 ½" NPT & ½" NPT
Stopping plug material: [m]	N	Nylon
Bracket & Guard tag: [s]	1 2 3 4	304 A2 Stainless Steel 316 A4 Stainless Steel 304 A2 Stainless Steel & Equip. Tag 316 A4 Stainless Steel & Equip. Tag
Version: [v]	A1	UL, cULs, IECEx & ATEX
Enclosure: [x]	B	Black
Lens colour: [y]	A, B, C G, M, R Y	Amber, Blue, Clear Green, Magenta, Red Yellow

## Current Consumption

Version:	Alarm Sounder		Xenon Beacon	
	Voltage:	Current:	Voltage:	Current
24V dc	10-30V dc	284mA	20-28V dc	275mA
48V dc	38-58V dc	146mA	42-58V dc	145mA
115V ac 50/60Hz	+/-10%	104mA	+/-10%	80mA
230V ac 50/60Hz	+/-10%	54mA	+/-10%	30mA

\*Candela measurements representative of performance with clear lens at optimum voltage. SPL readings are at nominal voltage, typically +/-3dB and are for indication purposes only. Where applicable, reduce outputs by 5dB when a 10-30vdc unit is supplied 12vdc.

### Tone table

<b>S 1</b>	<b>Description</b>	<b>S 2</b>	<b>S 3</b>	<b>S 1</b>	<b>Description</b>	<b>S 2</b>	<b>S 3</b>
T 1	340 Hz Continuous	T 2	T 5	T 33	745Hz @ 1Hz Intermittent	T 2	T 5
T 2	800/1000Hz @ 0.25 sec Alternating	T 17	T 5	T 34	1000 & 2000Hz @ 0.5 sec Alternating - Singapore	T 38	T 45
T 3	500/1200Hz @ 0.3Hz 0.5 sec Slow Whoop	T 2	T 5	T 35	420Hz @ 0.625 sec Australian Alert	T 36	T 5
T 4	800/1000Hz @ 1Hz Sweeping	T 6	T 5	T 36	500-1200Hz 3.75sec /0.25sec. Australian Evac.	T 35	T 5
T 5	2400Hz Continuous	T 3	T 20	T 37	1000Hz Continuous - PFEER Toxic Gas	T 9	T 45
T 6	2400/2900Hz @ 7Hz Sweeping	T 7	T 5	T 38	2000Hz Continuous	T 34	T 45
T 7	2400/2900Hz @ 1Hz Sweeping	T 10	T 5	T 39	800Hz 0.25sec on, 1 sec off Intermittent	T 23	T 17
T 8	500/1200/500Hz @ 0.3Hz Sweeping	T 2	T 5	T 40	544Hz (100mS)/440Hz (400mS) - NF S 32-001	T 31	T 27
T 9	1200/500Hz @ 1Hz - DIN / PFEER P.T.A.P.	T 15	T 2	T 41	Motor Siren - slow rise to 1200 Hz	T 2	T 5
T 10	2400/2900Hz @ 2Hz Alternating	T 7	T 5	T 42	Motor Siren - slow rise to 800 Hz	T 2	T 5
T 11	1000Hz @ 1Hz Intermittent	T 2	T 5	T 43	1200 Hz Continuous	T 2	T 5
T 12	800/1000Hz @ 0.875Hz Alternating	T 4	T 5	T 44	Motor Siren - slow rise to 2400 Hz	T 2	T 5
T 13	2400Hz @ 1Hz Intermittent	T 15	T 5	T 45	1KHz 1s on, 1s off Intermittent - PFEER Gen. ...	T 38	T 34
T 14	800Hz 0.25sec on, 1 sec off Intermittent	T 4	T 5				
T 15	800Hz Continuous	T 2	T 5				
T 16	660Hz 150mS on, 150mS off Intermittent	T 18	T 5				
T 17	544Hz (100mS)/440Hz (400mS) - NF S 32-001	T 2	T 27				
T 18	660Hz 1.8sec on, 1.8sec off Intermittent	T 2	T 5				
T 19	1.4KHz-1.6KHz 1s, 1.6KHz-1.4KHz 0.5s -NFC48-265	T 2	T 5				
T 20	660Hz Continuous	T 2	T 5				
T 21	554Hz/440Hz @ 1Hz Alternating	T 2	T 5				
T 22	544Hz @ 0.875 sec. Intermittent	T 2	T 5				
T 23	800Hz @ 2Hz Intermittent	T 6	T 5				
T 24	800/1000Hz @ 50Hz Sweeping	T 29	T 5				
T 25	2400/2900Hz @ 50Hz Sweeping	T 29	T 5				
T 26	Bell	T 2	T 15				
T 27	554Hz Continuous	T 26	T 5				
T 28	440Hz Continuous	T 2	T 5				
T 29	800/1000Hz @ 7Hz Sweeping	T 7	T 5				
T 30	300Hz Continuous	T 2	T 5				
T 31	660/1200Hz @ 1Hz Sweeping	T 26	T 5				
T 32	Two T chime.	T 26	T 15				